

LED



Norms: EN 60598-1, EN 60598-2-25



PRODUCT DESCRIPTION

Areas of Application: Hospitals, Restaurant and Hotel services, Cleanrooms.

Mounting: Ceiling recessed.

Light Distribution: Direct.

Light Source: LED 4000K, CRI>80, 50.000h life (@L80, B10, Ta 25 C).

Control Gear: LED driver, 220-240VAC-50/60Hz.

Wiring: Pre-wired with 1m long H05VV-F cable.

Materials: Body: Steel sheet.
Frame: Extruded aluminium.

Surface Finish: Powder coated in white matt (RAL9016).

Fixing system: Lay-in version for exposed "T" grids 15/24mm.

DAM - Microprismatic diffuser.



LED	UGR	W	Lm	Lm/W	η(%)	AxBxC (mm)	A1	B1	K1	K3	Kg	HF	DALI
LED	≤19	39	5440	92	66	1197x297x102	1174	274	•	•	11,7	9009.140.6V.F4	9009.140.6V.E4
	≤19	47	6800	98	68	1497x297x102	1474	274	•	•	12,1	9009.150.6V.F4	9009.150.6V.E4
	≤19	39	5440	102	73	597x597x102	574	574	•	•	7,8	9009.410.6V.F4	9009.410.6V.E4

DOZ - Opal polycarbonate diffuser.



LAMP	UGR	W	Lm	Lm/W	η(%)	AxBxC (mm)	A1	B1	K1	K3	Kg	HF	DALI
LED	≤22	39	5440	89	64	1197x297x102	1174	274	•	•	11,7	9009.140.2J.F4	9009.140.2J.E4
	≤22	47	6800	95	66	1497x297x102	1474	274	•	•	12,1	9009.150.2J.F4	9009.150.2J.E4
	≤22	39	5440	99	71	597x597x102	574	574	•	•	7,8	9009.410.2J.F4	9009.410.2J.E4

DETAILS



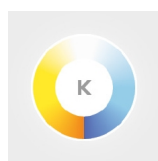
Lay-in version detail

Example code for order: 9009.140.6V.E4 (DALI) + 3000 + 965403 + 965401 + 955000 + K3 (OPTIONS)

We reserve the right to make technical changes without prior notice.
Electrical/Optical data are subjected to a tolerance of +/-10%.

OPTIONS

Colour temperature



3000K

Order code
3000

Connectors



Connector 3-pole Wieland GST18i3 male
Connector 5-pole Wieland GST18i5 male
Connector 5-pole Wieland GST18i5 DIM male

Order code
965301
965401
965403

Safety cable



Steel safety cable

Order code
955000

CRI>90



Option supplied under request.

Emergency unit

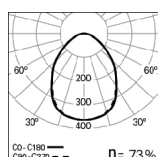


Emergency unit 3 hours
Emergency unit 1 hour

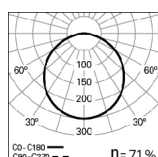
Order code
K3
K1

• Includes test function by Telecommand signal.

PHOTOMETRY

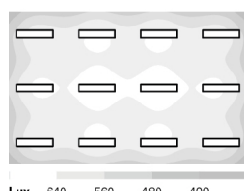


AVT LED 39W DAM
(597x597mm) 4000K



AVT LED 39W DOZ
(597x597mm) 4000K

PERFORMANCE

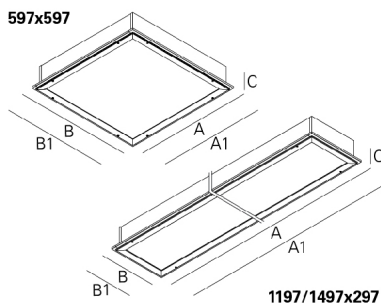


AVT LED DAM

LED: 47W
DIMENSIONS: 10m x 6,5m
HEIGHT: 3m
MAINTENANCE: 0,8
REFLECTANCE: 70/50/20
WORKING PLACE: 0,8m
ILLUMINANCE E_{m} : 584 lux
UGR: ≤ 17

DIMENSIONS

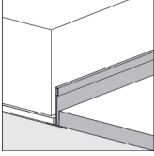
597x597



1197/1497x297

We reserve the right to make technical changes without prior notice.
Electrical/Optical data are subjected to a tolerance of +/-10%.

FIXING SYSTEMS



Lay-in version for
exposed T grids
15/24mm.

TO SPECIFY:

LED recessed modular IP65 luminaire for lay-in version. Extruded aluminium frame available with microprismatic (DAM) or opal (DOZ) diffuser. Standard version with 4000K, CRI > 80 and 50000h lifetime (@L80, B10, Ta 25 C). Pre-wired with 1m long H05VV-F cable. Optional DALI dimmable driver, 3000K, connectors and 1 or 3 hours emergency unit. – as Roxo Lighting AVT LED.

We reserve the right to make technical changes without prior notice.
Electrical/Optical data are subjected to a tolerance of +/-10%.